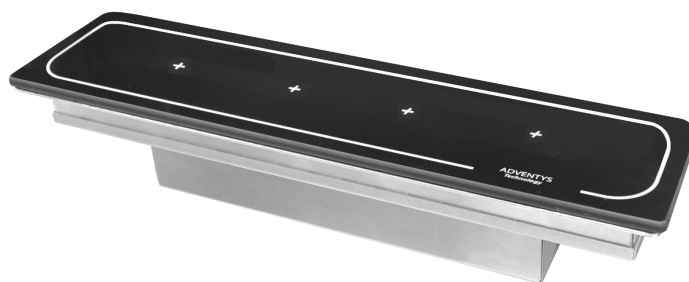


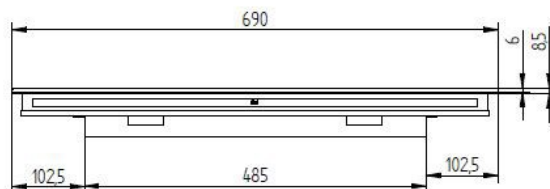
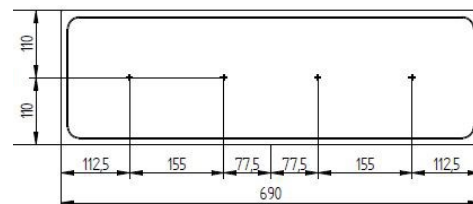


TECHNICAL FEATURES

External structure	Stainless steel and vitroceramic glass
Dimensions	690x220
Power	4000W - 4x1000W
Cooking surface	Vitroceramic glass.
Control panel	Remoted controls panel kit. Incremental encoder and 4 digits display. Power settings (W) or temperature settings (°C). 220 setting temperature levels : from 30 to 250°C. Cable length : 1.5m (custom made cable in option).
Amp	6A
Functions	On/Off, manual power setting (+/-) and timer control with 2 digits display (works for both timer and power)
Power supply	Remoted generator board kit. Works between 250 and 490V / 40 and 70Hz. Compatible with TERA WATT energy optimizer. Generator cable length : 1.5m (custom cable in option).
Weight	
Standards	Complies with European standards for safety of electrical appliances.
Details & Options	Compatible with TERA WATT & SICO-TRONIC energy optimizer. Design and made in Burgundy (France).

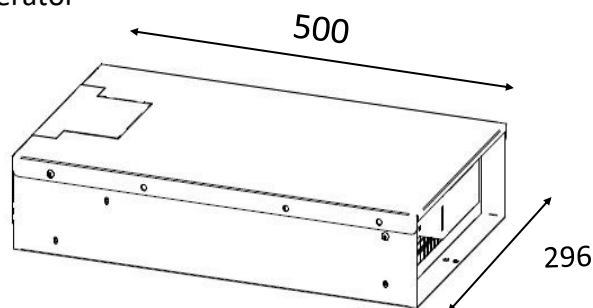


millimeters

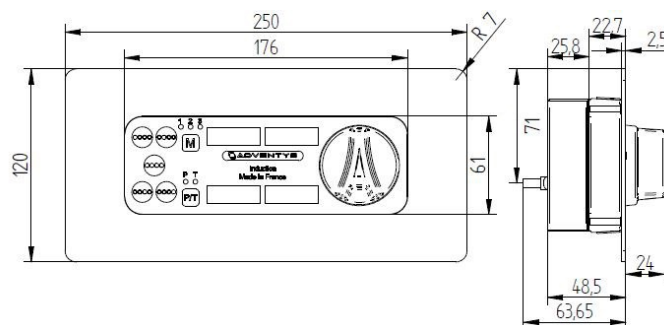


Cut out dimensions 696x226 mm

Generator



Controls



Cut out dimensions 215 x 88 mm + 4 holes

ADVENTYS
Route de Pagny - 21250 Seurre - France
www.adventys.com
sales@adventys.com
T: +33 3 80 20 46 15

Important note

Adventys reserves the right to modify specifications without notice.

